

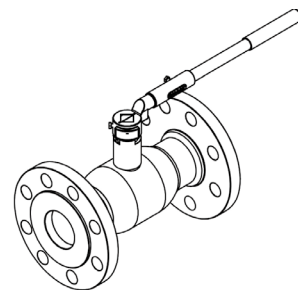
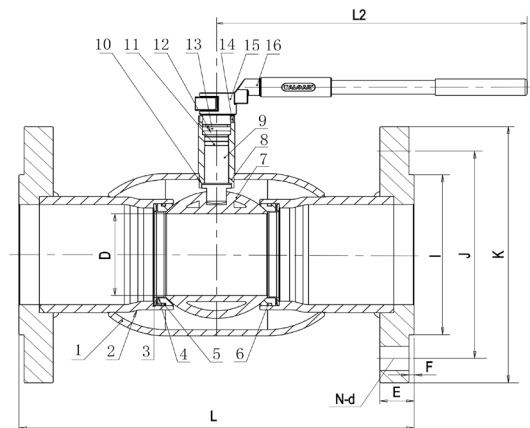
Fully Welded Ball Valves

PN16/235PSI/Class125

Reduced Bore, Leverage, Floating Ball
Design to EN488
Pressure Test to EN12266.1



WB3518-P
FXF



Materials List		
1	Body	A106-B, EN10217-2
2	Welded Pipe	A106-B, EN10217-2
3	Spring	AISI 304, EN10088-3
4	Fireproof Gasket	AISI 304
5	O-Ring	Viton
6	Seat Ring	PTFE 25%C
7	Ball	AISI 304, EN10088-3
8	Stem Guide	A106-B, EN10217-2
9	Stem	ASTM A420, EN10088-3
10	Thrust Washer	PPL
11	O-Ring	Viton
12	O-Ring	Viton
13	Packing	Graphite
14	Gland	A106-B, EN10217-2
15	Pin	ASTM 1566
16	Handle	ASTM A216

* Operating temperature range: -30°C ~ +200°C .
* For other materials and special requirements, please consult the factory or the local offices.

Dimensions/Weights												
In	D	I	J	K	E	F	N-d	L	L2	Kvs	Lbs	Kg
2 ½	50	120	145	180	18	3	4-Φ18	270	420	185	26	11.8
3	65	135	160	195	20	3	8-Φ18	280	420	295	36.8	16.7
4	80	155	180	215	20	3	8-Φ18	300	420	460	48.1	21.8
5	100	185	210	245	22	3	8-Φ18	350	420	730	68.4	31.0
6	125	210	240	280	24	3	8-Φ23	360	420	1120	108	49

* Please consult the engineers for full-bore dimensions.